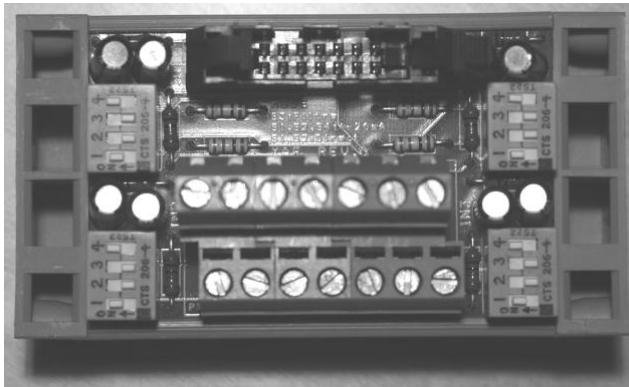


ANALOG/PULSE INTERFACE



XAF is the corresponding wiring interface for analog I/O and pulse inputs on the XIO board. The board includes configuration switches to customize the board depending on usage. These switches permit filtering (when using a load cell), to work with an optical encoder (direct mode) or to read current (4-20mA). A flat ribbon style cable connection is used for simple installation.

Main features

- **Four (4) analog inputs**
- **Selectable filter on each input**
- **Selectable current mode (4-20mA) on each input**
- **Selectable direct/passive mode to interface with optical encoder**
- **Two (2) analog outputs**
- **Pin to pin connection to XIO board**
- **DIN rail mounting**

Technical specifications

- Input range: 0-10VDC (analog mode), 0-26VDC (pulse mode)
- Filter time constant(ζ): 330ms
- Input impedance (current mode): 499 Ω
- Terminal wiring: 0.5 mm² to 2.5 mm² 12 to 22 AWG
- Operating temperature: 0 to 50°C (32 to 122°F)
- Humidity: 5 to 95% non condensing
- Storage temperature: -40 to 85°C (-40 to 185°F)
- Dimensions mm (inches): 85 (3.3) x 45 (1.8) x 50 (2.0)

Wiring diagram

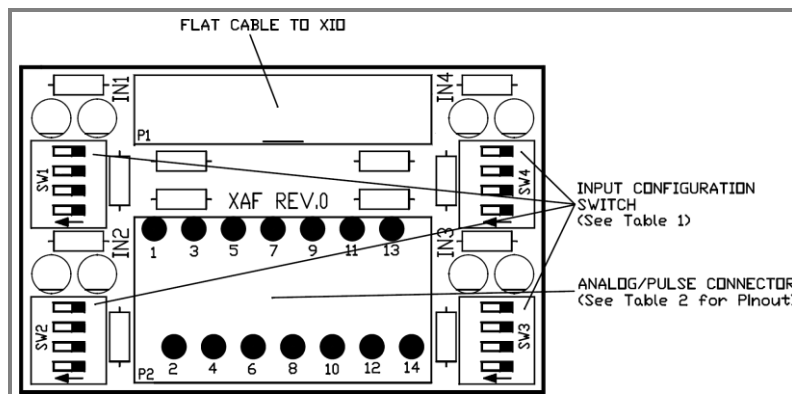


Table 1: XAF mode vs. configuration switch

SWx				CONFIGURATION
S4	S3	S2	S1	
OFF	OFF	OFF	OFF	<i>XAF not working.</i>
OFF	OFF	OFF	ON	<i>XAF not working.</i>
OFF	OFF	ON	OFF	<i>XAF not working.</i>
OFF	OFF	ON	ON	<i>XAF not working.</i>
OFF	ON	OFF	OFF	Filter mode
OFF	ON	OFF	ON	<i>XAF not working.</i>
OFF	ON	ON	OFF	<i>XAF not working.</i>
OFF	ON	ON	ON	<i>XAF not working.</i>
ON	OFF	OFF	OFF	<i>XAF not working.</i>
ON	OFF	OFF	ON	Direct/Pulse mode
ON	OFF	ON	OFF	<i>XAF not working.</i>
ON	OFF	ON	ON	Current mode
ON	ON	OFF	OFF	<i>XAF not working.</i>
ON	ON	OFF	ON	<i>XAF not working.</i>
ON	ON	ON	OFF	<i>XAF not working.</i>
ON	ON	ON	ON	<i>XAF not working.</i>

Table 2: P2 connector pinout vs. configuration

Analog mode (XAF to XIO JP1)		Pulse mode (XAF to XIO JP11)	
Pin	Signal	Pin	Signal
1	DAC1_OUT	1	SIG. A1
2	GND_DAC1	2	SIG. A4
3	DAC2_OUT	3	SIG. B1
4	GND_DAC2	4	SIG. B4
5	NC	5	SIG. A2
6	NC	6	SIG. A5
7	AIN1+	7	SIG. B2
8	AIN1-	8	SIG. B5
9	AIN2+	9	SIG. A3
10	AIN2-	10	SIG. A6
11	AIN3+	11	SIG. B3
12	AIN3-	12	SIG. B6
13	AIN4+	13	COM
14	AIN4-	14	COM

Ordering information

XAF - Analog/pulse interface